



# Installation Guide

## Daytime Running Light / Fog Lamp

NC0-301190

09/2017

To mount the combination lamp you will have to remove the front lower wheelarch liners (left & right). (pic 1)

### 1 - Mazda MX-5 MK3 2005 - 2008 (up to VIN: 200.000)

On these models you can exchange the original lamps for these new combination lamps.

The new combination lamps can be mounted with the supplied screws, after installation the new combination lamps are connected as shown in the below wiring diagram (3).

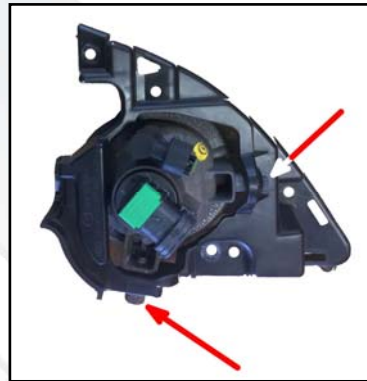
### 2 - Mazda MX-5 MK3.5 2008 - 2013 (from VIN: 200.001 up to VIN: 350.000)

Remove the OEM / original foglamp with the plastic bracket from the front bumper.

Loosen the screws of the foglamp (pic 2) and take the lamp out of the bracket.



pic 1



pic 2

Before mounting the new combination lamp you will have to modify the OEM / original plastic bracket.

Cut out the piece as shown in pic 3, so the combination lamp will fit the modified bracket (pic 4)

The combination lamp is supplied with new screws to fit the modified bracket.



pic 3



pic 4

Now you can mount the modified brackets with the combination lamps to the front bumper (pic 5)



pic 5



# Installation Guide

## Daytime Running Light / Fog Lamp

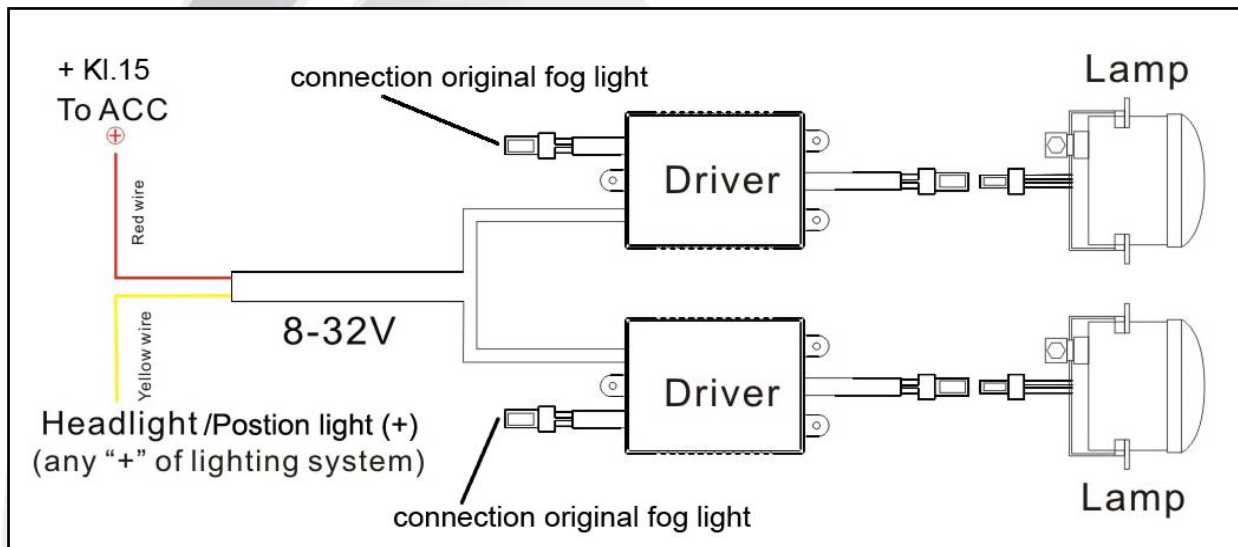
NC0-301190

09/2017

### 3 – Wiring diagram combination lamp for MK3 & MK3.5 up to VIN: 350.000

The electronic connections should be made according to the below wiring diagram. You can plug in the foglamp connectors to the OEM / original connectors of the car.

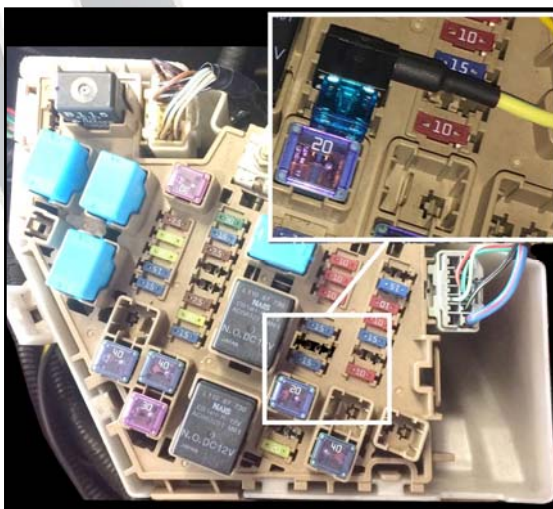
**Note:** cable with colour markers on the OEM / original cable usually is (+)



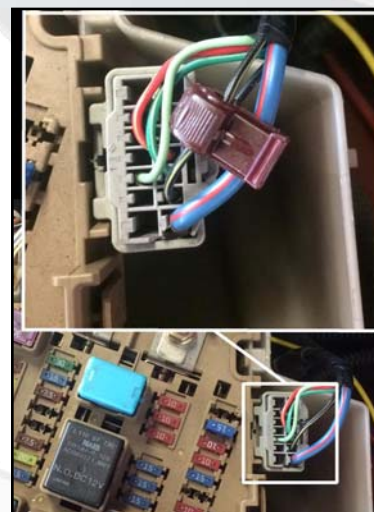
#### Wiring diagram

The connection for the yellow cable can be found in the fusebox, please remove the 15A fuse for the headlight and plug in the supplied double fuse. (pic 6)

The ignition plus can be connected to the black / yellow cable by using the supplied connector. Press the connector on the black & yellow cable and connect to the red cable. (pic 7)



pic 6



pic 7